

Control Contactors

Type - MM00 and MN0

MM00 AC/DC

Types MM00 ac and dc are, basic four pole units. With add-on blocks, these contactors can give you as many as twenty-five different contact combinations from 4NO to 4NO+4NC. That means a single MM00 contactor with four add-on blocks eliminates the need to stock contactors of various contact combinations.

Type contact system is ingeniously designed for on - the - spot conversion of 4NO, 4NC, and vice versa, no spare contacts or springs required

Coil replacement

It is easy. No need for any special tools. No need to remove the Contactor from the panel or disturb the wires. In ac contactors, just slide the two arc-shields out, free the contact bridge and detach it. In dc contactors, just remove the two screws and detach the arc-shield assembly.

Compact & Convenient

Several contactors can be mounted side by side, close to each other in a control panel. The proximity will not impair inspection of any of the components - magnets, contactors or coil - because accessibility is from the front.

Contact bridge gives a positive 'ON' / 'OFF' indication from the front.

Distinction between NO and NC contacts is clearly visible from the front. A red dot on the terminal indicates the NC contact.

TECHNICAL DATA

	MM00 ac	MM00 dc
Rated Current for AC-11 Utilisation Category	4 A at 415 V, 50 Hz	
Rated Current for DC-11 Utilisation Category (Ref. IS 6875 - Part 1)	0.5 A at 220 V	
Rating for motor duty (AC-3)	7.5 A, 415 V, 50 Hz	
Thermal Rating	10 A	
Maximum Frequency of Operation	3000 per hour	
Coil Consumption	Pick up 85 VA Hold on 16 VA (5 watts)	(Warm) 8 W
Terminal Capacity	2 x 2.5 mm ²	
Weight	0.3 kg	0.65 kg
Coil Voltages Available (V)	Other Voltages on request	24, 42, 110, 220 dc

ACCESSORIES

Description	Cat. No.
Aux. Add on Block M00	SS92020
MM00 ac Spare Coil 24, 42, 110, 240 & 415 V	SS91353
MM00 dc Coil 24, 30, 42, 110, 220 V	SS91354
Spare Kit without Coil - MM00	SS91352

MM00 dc

MM00 ac



MN0 AC/DC

MN0 ac and MN0 dc

MN0 ac and MN0 dc are, basic four pole contactor relays. With add-on blocks, these contactor relays can give you a maximum of 8NO to 8NC contact combinations.

MN0 ac & MN0 dc are available with following contact combinations.

For ac control

SS94660 MN0 40E (4 NO)
 SS94661 MN0 31E (3 NO + 1 NC)
 SS94662 MN0 22E (2 NO + 2 NC)
 SS94663 MN0 13E (1 NO + 3 NC)
 SS94664 MN0 04E (4 NC)

For dc control

SS94665 MN0 dc 40E (4 NO)
 SS94666 MN0 dc 31E (3 NO + 1 NC)
 SS94667 MN0 dc 22E (2 NO + 2 NC)
 SS94668 MN0 dc 13E (1 NO + 3 NC)
 SS94669 MN0 dc 04E (4 NC)

Features

Front ON / OFF indication. Suitable for DIN Rail / Base mounting. Easy accessibility to coil & contacts. Terminal marking as per EN 50011.

Benefits

Alphanumeric terminal markings eliminate wiring error. Coil voltage indication on coil terminals make identification easy. Drilling to actual size reduces mounting time.

TECHNICAL DATA

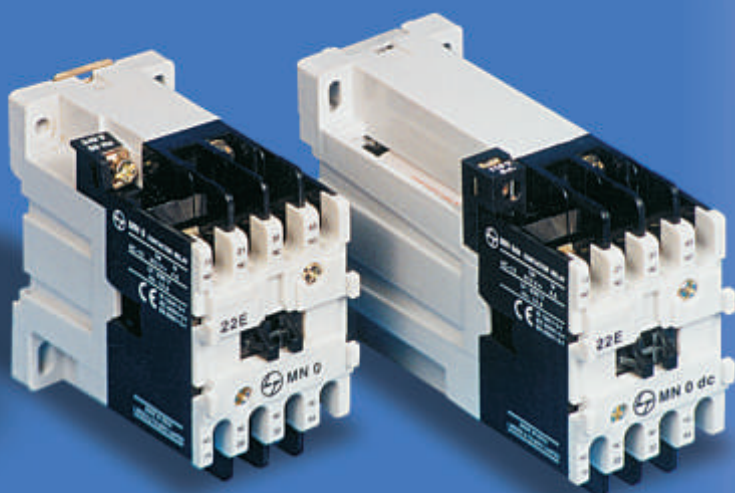
	MN0 ac	MN0 dc
Rated Insulation Voltage (Ui)	690 V ac	
Rated Operational Voltage (Ue)	415 V ac	
Thermal Current (Ith)	10 A	
Rated Current for AC-15 Utilisation Category (Ie)	4 A at 415 V, 50 Hz Break before make	
Sequence of Operations	1200	
Maximum Frequency of Operations AC-15 (Operating Cycle / hr.)	2 x 2.5 mm ²	
Terminal Capacity	68 VA	6.2 W
Coil Consumption : Pick-up	11 VA	6.2 W
Hold-on		
Standard Coil Voltages (Uc)	24, 42, 110, 220, 240 360, 415, 525, Vac at 50 Hz	
Overall Dimensions		
(H x W x D)	81 x 45 x 86 mm	81 x 45 x 120 mm

ACCESSORIES

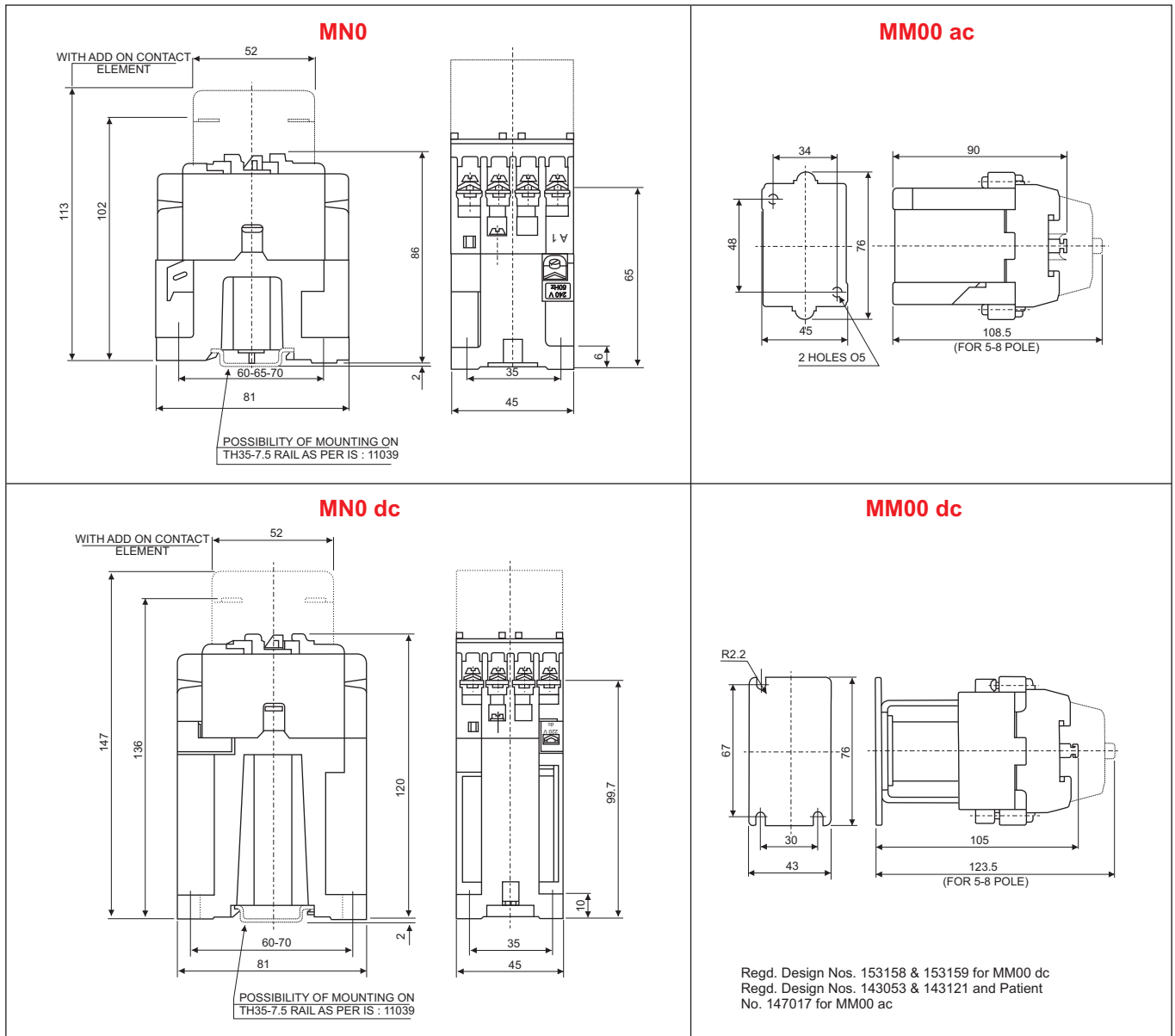
Add-on Aus. Contact Block For MN0 ac, MN0 dc	1 NO / 1 NC	SS94715 / SS94716
	2 NO / 2 NC	SS94080 / SS94082
	4 NO / 4 NC	SS94083 / SS94087
	1 NO + 1 NC	SS94081
	2 NO + 2 NC	SS94085
	3 NO + 1 NC	SS94084
	1 NO + 3 NC	SS94086
	MN0 ac	MN0 dc
Mechanical Interlock Kit	SS94071	SS94071 + SS94766
Surge Suppressor	SS94623	SS94781

MN0 dc

MN0 ac



OVERALL DIMENSIONS



L&T's Network of Offices :

Ahmedabad Tel.: 079-66304007-11
Bangalore Tel.: 080-25020100, 25593613
Bhopal Tel.: 0755-4233906, 4233907
Bhubaneshwar Tel.: 0674-6451342, 2436696
Chandigarh Tel.: 0172-4646841 to 7
Chennai Tel.: 044-28462072/4/5
Coimbatore Tel.: 0422-2588120/1/5
Durg Tel.: 0788-2213833/14/28/29
Durgapur Tel.: 0343-2536891/8952/7844

Faridabad Tel.: 0129-2277543, 2275315
Guwahati Tel.: 0361-2651297
Hyderabad Tel.: 040-66720250
Jaipur Tel.: 0141-2385913/19
Jamshedpur Tel.: 0657-2340864
Kochi Tel.: 0484-4409420/427
Kolkata Tel.: 033-44002572/3/4
Lucknow Tel.: 0522-2312904/5/6

Madurai Tel.: 0452-2537404, 2521068
Mumbai Tel.: 022-67052874/2737/1156
Nagpur Tel.: 0712-2420641/24
New Delhi Tel.: 011-41419500/1, 41419515
Pune Tel.: 020-26135048, 26135611
Surat Tel.: 0261-2473726
Vadodara Tel.: 0265-6613610/11/12
Visakhapatnam Tel.: 0891-6620411-4

Product improvement is a continuous process. For the latest information and special applications, please contact any of our offices listed here.



Electrical Standard Products
 Larsen & Toubro Limited
 Powai Campus, Mumbai 400 072
Customer Interaction Center (CIC)
 BSNL / MTNL (toll free) : 1800 233 5858
 Reliance (toll free) : 1800 200 5858
 Tel : 022 6774 5858
 Fax : 022 6774 5859
 E-mail : cic@LNTEBG.com
 Website : www.LNTEBG.com

